



Telecab17

RESIDENTIAL ELEVATOR

Planning Guide

Applicable Codes:

ASME A17.1/CSA-B44

Safety Code for Elevators and Escalators

Section 5.3 – Private Residential Elevators

Part No. 001079
26-m07-2018

Copyright © 2018
Savaria Concord Lifts, Inc.
All rights reserved.

Printed in Canada

Purpose of This Guide

This guide assists architects, contractors, and lift professionals to incorporate the Telecab17 Residential Elevator into a residential building design. The design and manufacture of the Telecab17 Residential Elevator meets the requirements of the following codes and standards:

- ASME A17.1 1996, Section 5.3
- ASME A17.1/CSA B44 2000, Section 5.3
- ASME A17.1/CSA B44 2004, Section 5.3
- ASME A17.1 2004, Addendum 2005, Section 5.3
- ASME A17.1/CSA B44 2007, Section 5.3
- ASME A17.1/CSA B44, Addendum 2008, Section 5.3
- ASME A17.1/CSA B44 2010, Section 5.3
- ASME A17.1/CSA B44 2013, Section 5.3
- ASME A17.1/CSA B44 2016, Section 5.3

We recommend that you contact your local authority having jurisdiction to ensure that you adhere to all local rules and regulations pertaining to residential elevators.

IMPORTANT: This Planning Guide provides nominal dimensions and specifications useful for the initial planning of a residential elevator project. Dimensions and specifications are subject to change without notice due to continually evolving code and product applications.



Before beginning actual construction, please consult Savaria Corporation or the authorized Savaria dealer in your area to ensure you receive your site-specific installation drawings with the dimensions and specifications for your project.

Visit our website for the most recent Telecab17 drawings and dimensions.

NOTE: These specifications are for Telecab17 only. For other sizes with a smaller load capacity, ask your Savaria dealer about the original Telecab (500-lb capacity) described in the original Telecab Planning Guide, P/N 000698.

How to Use This Guide

- 1 Determine your client's intended use of the lift.
- 2 Determine the local code requirements.
- 3 Determine the site installation parameters.
- 4 Determine the cab type and hoistway size requirements.
- 5 Plan for electrical requirements.

History

March 2, 2017 – Initial release

March 15, 2017 – Added Note on this page, at top of page 4, and on page 7 referencing the original Telecab product

June 26, 2017 – Revised drawings on pages 8 and 9

November 21, 2017 – Revised codes above

December 20, 2017 – Revised R2 value in drawing on page 9

March 22, 2018 – Revised power supply spec on page 4 from 30A to 20A

July 26, 2018 – Revised power supply spec on page 4

Specifications



NOTE: These specifications are for Telecab17 only. For other sizes with a smaller load capacity, ask your Savaria dealer about the original Telecab (500-lb capacity) described in the original Telecab Planning Guide, P/N 000698.

Telecab17 Specifications

Specification	Specification Data
Load capacity	845 lbs. (384 kg) for 30" x 46" cab and 36" x 54" cab
Maximum travel	23 ft (7.0 m)
Travel speed	20 ft/min (0.1 m/s)
Noise level (for typical installation)	72.9 dBA (up direction); 50.0 dBA (down direction) Measured at a height of 1m, distance of 1m, in front of the motor with all panels on
Daily cycle	Normal: 30 Heavy: 75 Excessive: 100 Maximum starts in 1 hour on standard installation: 12 NOTE: Please consult your Sales Representative if there a chance you may exceed these amounts.
Tower	Modular 8 ft (2.4 m) guide rail assembly with roller guide shoes
Control system	115 VAC relay logic operation 115 VAC up direction and 24 VDC down direction
Levels serviced	2 levels
Platform	Non-skid platform
Power supply (circuit supplied by others)	110 VAC, 30A, 60 Hz, single phase NOTE: 20A available if optional battery backup is ordered.
Lighting supply (circuit supplied by others)	120 volt, 15A, 60 Hz, single phase
Motor/pump	24 VDC, 3 Hp (2.1 kW) Gear type hydraulic pump
Electrical	Automatic battery recharging system (115 VAC) Low voltage controls
Drive system	2:1 roller chain hydraulic
Temperature operating range	-10 °C to +40 °C (14 °F to 104 °F)
Cab access	Front access only (standard)
Cab dimensions	30" x 46" x 80" (762 mm x 1168 mm x 2032 mm) 36" x 54" x 80" (914 mm x 1372 mm x 2032 mm)
Door size	84" x 33.3" (2134 mm x 846 mm) - for 30" x 46" cab 84" x 39.3" (2134 mm x 998 mm) - for 36" x 54" cab
Minimum overhead clearance	96" (2438 mm) to have 6" minimum clearance by code 92" (2337 mm) where code permits
Hall calls	Continuous pressure directional push buttons Keyed call/send
Color and finish	White electrostatic powder coat Clear acrylic windows
Safety features	Adjustable top floor presence detector built into the cab Door interlock Hydraulic door closer Underpan safety sensor Emergency stop and alarm Emergency battery lowering Manual emergency lowering Fully-enclosed drive tower Pressure relief valve to prevent platform overload Slack chain safety device Two halogen lights in cab Telephone in cab
Optional equipment	Battery operation in up and down directions

Site Construction Details

The Telecab17 needs a wall that supports a minimum of 950 lb (4226 N) of pull-out force at any bracket. The floor must be capable of supporting a load of 3200 lb (14,234 N). See Figure 1.

A support wall with a combination of either two columns of three 2x4's, two columns of two 2x4's and two 2x6's, or a concrete or brick wall is required. Figure 2 shows the support wall configuration

Figure 1: Wall/floor loading

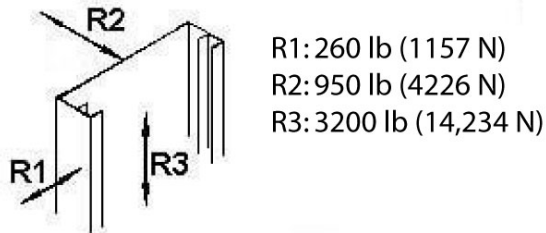
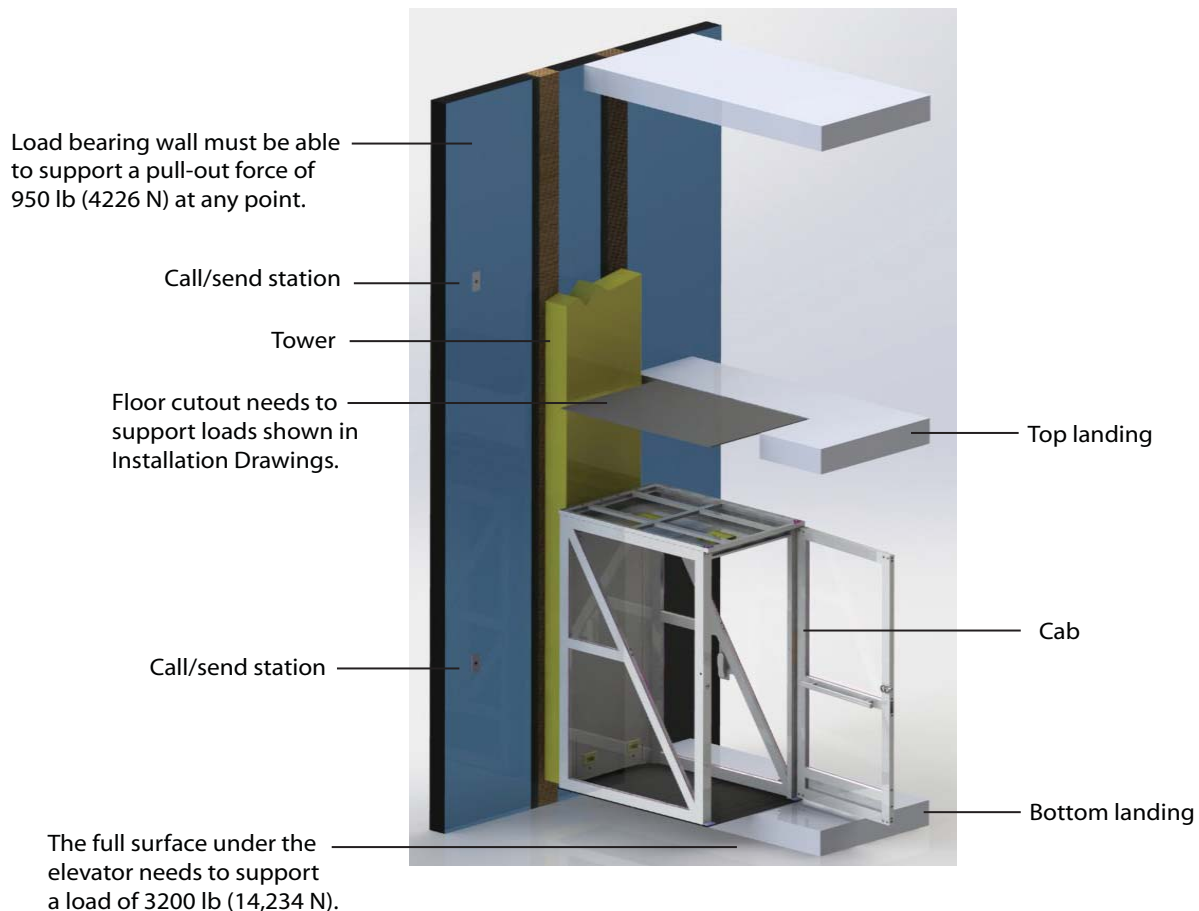


Figure 2: Support wall configuration

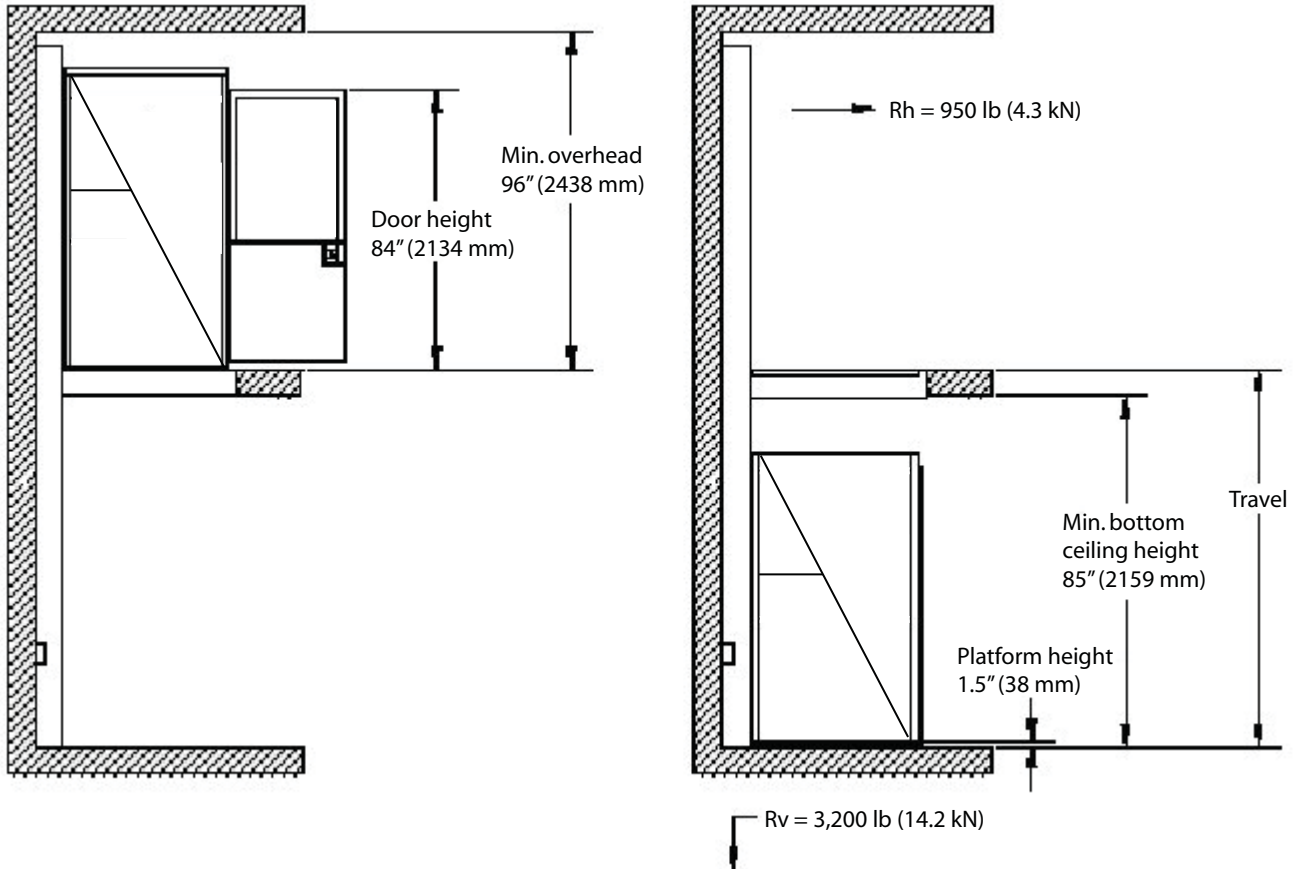


Elevation View

The following illustration shows the general elevation view and dimensions of the Telecab17. Note that the minimum overhead is 96" (2438 mm) for a 80" (2032 mm) inside height cab dimension.

Refer to your site-specific Installation Drawings for details relevant to your job site.

Figure 3: Elevation view and dimensions

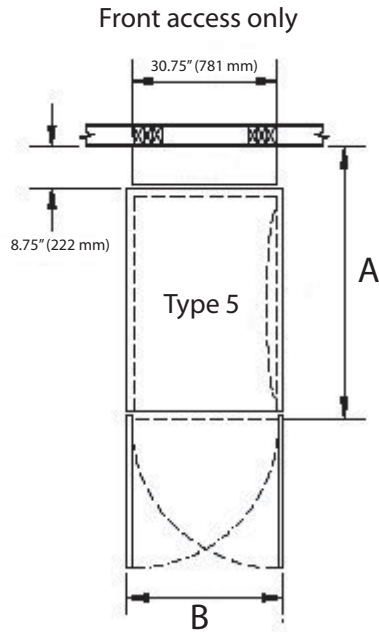


Cab Types

Cab types and sizes are listed below. Always refer to your site-specific Installation Drawings for details.

- Type 5 – 30" x 46" x 80", front access only
- Type 5 – 36" x 54" x 80", front access only

Figure 4: Type 5 cab (front access only)



Drawings

The following page shows installation drawings for both sizes of the Telecab17.



NOTE: These specifications are for Telecab17 only. For other sizes with a smaller load capacity, ask your Savaria dealer about the original Telecab (500-lb capacity) described in the original Telecab Planning Guide, P/N 000698.

Telecab17 Residential Elevator PLANNING GUIDE

Part No. 001079
Copyright © 2018

Savaria Concord Lifts, Inc.
www.savaria.com

Sales
2 Walker Drive
Brampton, Ontario, L6T 5E1, Canada
Tel: (905) 791-5555
Fax: (905) 791-2222
Toll Free: 1-800-661-5112

